

HEAD RACK

INSTALLATION INSTRUCTIONS
1999+ FORD SUPER DUTY

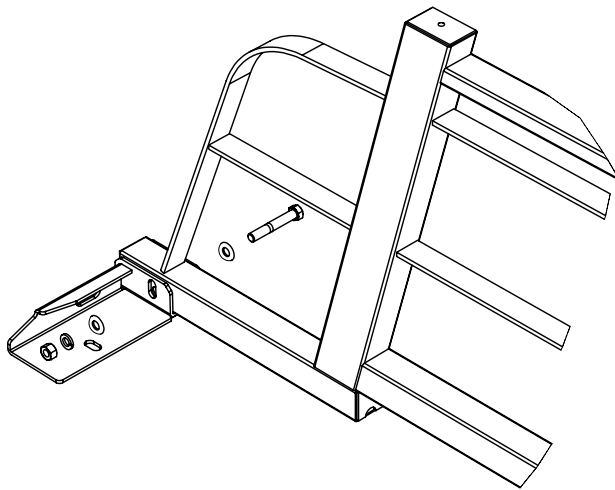
TOOLS REQUIRED: 3/4" WRENCH x 2

PACKAGE CONTENTS

1/2" x 3-1/4" HEX BOLT	X4
1/2" x 1-1/4" HEX BOLT	X2
1/2" NUT	X2
1/2" FLAT WASHER 1-1/6" OD	X6
1/2" LOCK WASHER	X6
STAKE POCKET CLIP	X2
MOUNTING BRACKET	X2 (1 LEFT, 1 RIGHT)
STAKE POCKET WASHER	X2
HEAD RACK	X1
BOX SIDE REINFORCEMENT PLATE	X2 (1 LEFT, 1 RIGHT)

STEP 1

NOTE: LEAVE ALL FASTENERS FINGER TIGHT TO ALLOW FOR ADJUSTMENT WHEN POSITIONING ON TRUCK.

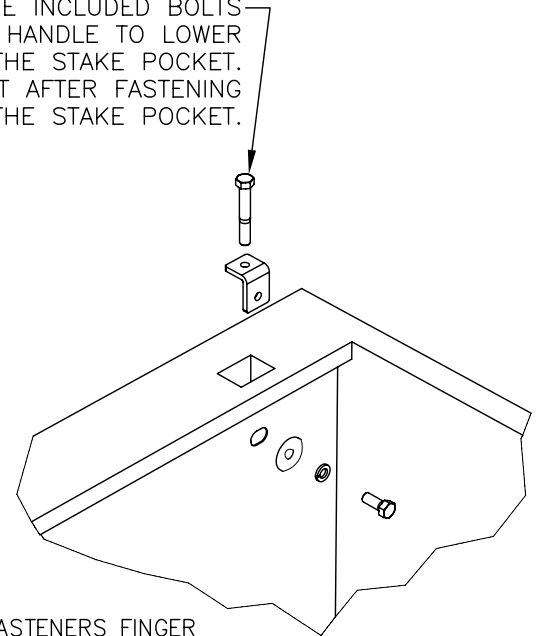


FASTEN EACH MOUNTING BRACKET TO THE HEAD RACK USING ONE 1/2"x3-1/4" HEX BOLT, TWO 1/2" FLAT WASHERS, ONE 1/2" LOCK WASHER AND ONE 1/2" HEX NUT

STEP 2

FASTEN CLIP INTO STAKE POCKET AS SHOWN

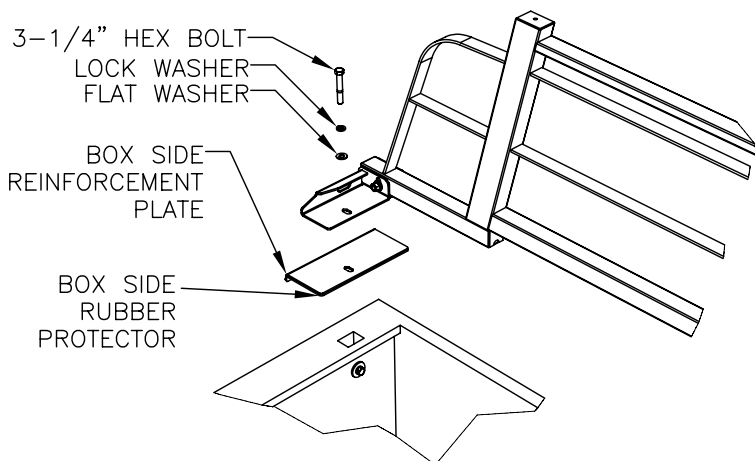
ATTACH ONE OF THE INCLUDED BOLTS TO ACT AS A HANDLE TO LOWER THE CLIP INTO THE STAKE POCKET. REMOVE THIS BOLT AFTER FASTENING THE CLIP INTO THE STAKE POCKET.



NOTE: LEAVE ALL FASTENERS FINGER TIGHT TO ALLOW FOR ADJUSTMENT WHEN POSITIONING ON TRUCK.

STEP 3

PLACE BOX SIDE REINFORCEMENT PLATE AND HEADRACK (WITH BRACKETS) OVER THE FRONT STAKE POCKETS. FASTEN AS SHOWN.



NOTE: ALLOW 1/8" - 1/4" GAP BETWEEN FLANGE ON BOX SIDE REINFORCEMENT PLATE AND OUTSIDE OF BOX (TO PREVENT PAINT SCRATCHES)

STEP 4

TIGHTEN THE FASTENERS IN THE SEQUENCE AS SHOWN.

