

# HEAD RACK

2005 TOYOTA TACOMA  
INSTALLATION INSTRUCTIONS

TOOLS REQUIRED: 3/4" WRENCH x 2  
15/16" WRENCH x 1

## PACKAGE CONTENTS

1/2" x 3-1/4" HEX BOLT	X2
1/2" NUT	X4
1/2" FLAT WASHER	X8
1/2" LOCK WASHER	X4
1/2" STAKE BOLT	X2
MOUNTING BRACKET BOTTOM	X2 (1 LEFT, 1 RIGHT)
MOUNTING BRACKET TOP	X2 (1 LEFT, 1 RIGHT)
TRACK TIE BRACKET	X2
HEAD RACK	X1

## INSTALLATION PROCEDURE

1) FASTEN TOP AND BOTTOM MOUNTING BRACKETS TO THE HEAD RACK USING ONE 1/2"x3-1/4" HEX BOLT, TWO 1/2" FLAT WASHERS, ONE 1/2" LOCK WASHER AND ONE 1/2" HEX NUT (FIG. 1)

NOTE: LEAVE ALL FASTENERS FINGER TIGHT TO ALLOW FOR ADJUSTMENT WHEN POSITIONING ON TRUCK.

2) REMOVE THE PLASTIC END CAPS FROM THE BED RAIL TRACKS IN THE FRONT INSIDE CORNERS ONLY.

3) INSERT ONE 5/8" HEAVY HEX NUT INTO THE END OF THE BED RAIL TRACKS (FIG. 2), THEN REPLACE THE PLASTIC END CAPS WHICH WERE REMOVE IN STEP #2.

4) FASTEN THE TRACK TIE BRACKETS BETWEEN THE FRONT AND SIDE BED RAIL TRACKS USING THE SUPPLIED 5/8" x 1" HEX BOLTS, 5/8" LOCKWASHERS AND THE 5/8" HEAVY HEX NUTS PREVIOUSLY INSTALLED IN STEP #3 (FIG. 2) TIGHTEN THE 5/8"x1" BOLTS USING A 15/16" WRENCH OR CRESCENT WRENCH

5) PLACE THE HEAD RACK, WITH THE MOUNTING BRACKETS ATTACHED, ONTO THE FRONT OF THE TRUCK BOX OVER THE TRACK TIE BRACKETS.

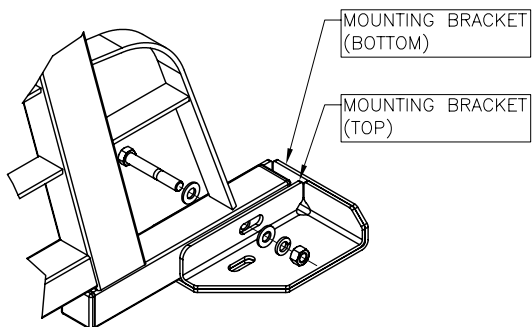
6) FASTEN TOP AND BOTTOM MOUNTING BRACKETS AND THE TRACK TIE BRACKETS TOGETHER USING ONE 1/2"x1-1/2" HEX BOLT, TWO 1/2" FLAT WASHERS, ONE 1/2" LOCK WASHER AND ONE 1/2" HEX NUT (FIG. 3)

NOTE: LEAVE ALL FASTENERS FINGER TIGHT TO ALLOW FOR ADJUSTMENT WHEN POSITIONING ON TRUCK.

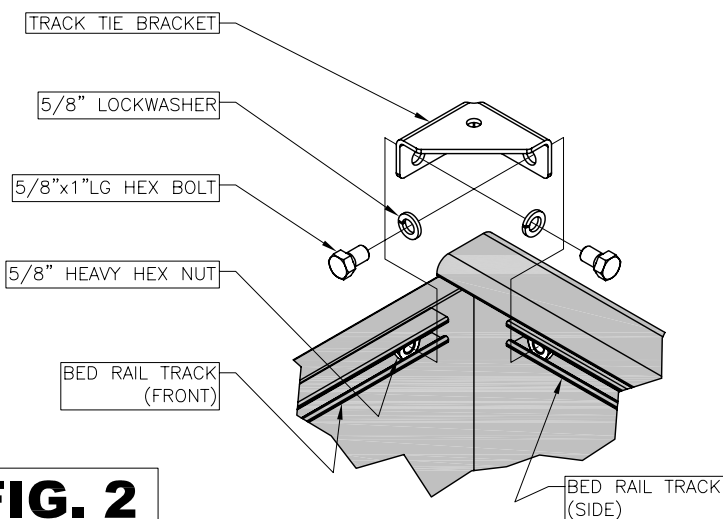
7) POSITION THE HEAD RACK AND MOUNTING BRACKETS AS DESIRED

NOTE: ENSURE THAT THE STAKE BOLTS ARE PLUM PRIOR TO TIGHTENING.

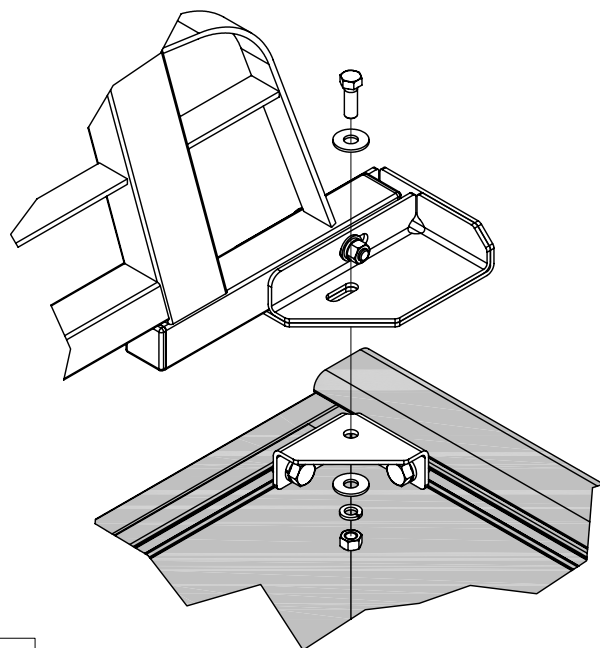
8) USING A PAIR OF 3/4" WRENCHES TIGHTEN ALL BOLTED CONNECTIONS.



**FIG. 1**



**FIG. 2**



**FIG. 3**